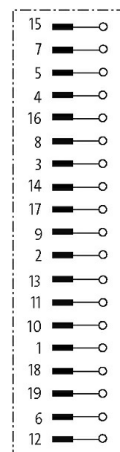
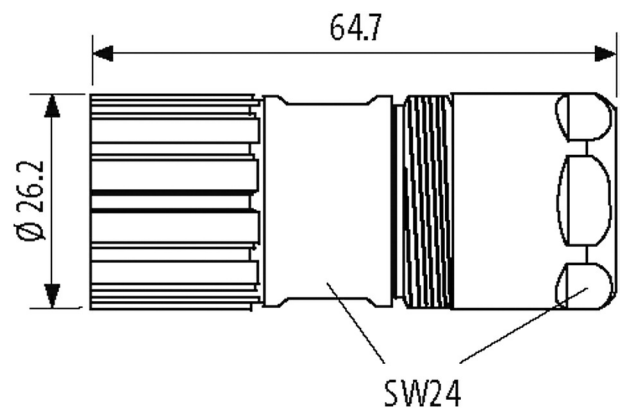


M23 male 0° field-wireable solder pins

Male straight
M23, 19-pole
Solder connection
Cap nut

[Link to Product](#)**Illustration**

Product may differ from Image

Form

Form 23281

General data

Temperature range -40...+125 °C

Technical Data

Operating voltage	max. 100 V AC
Operating current per contact	max. 8 A
Connection cross section	max. 1 mm ²
Sealing range (cable Ø)	3...17 mm
Connection	Solder buckets
Protection	IP67 inserted and tightened (EN 60529)

Commercial data

country of origin	CZ
customs tariff number	85366990
EAN	4048879324113
eClass	27279221
Packaging unit	1